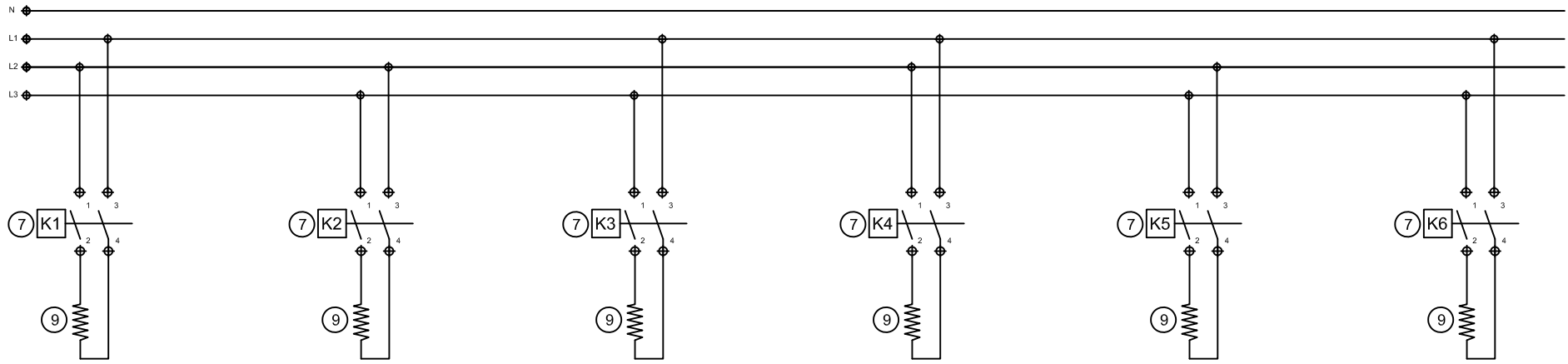
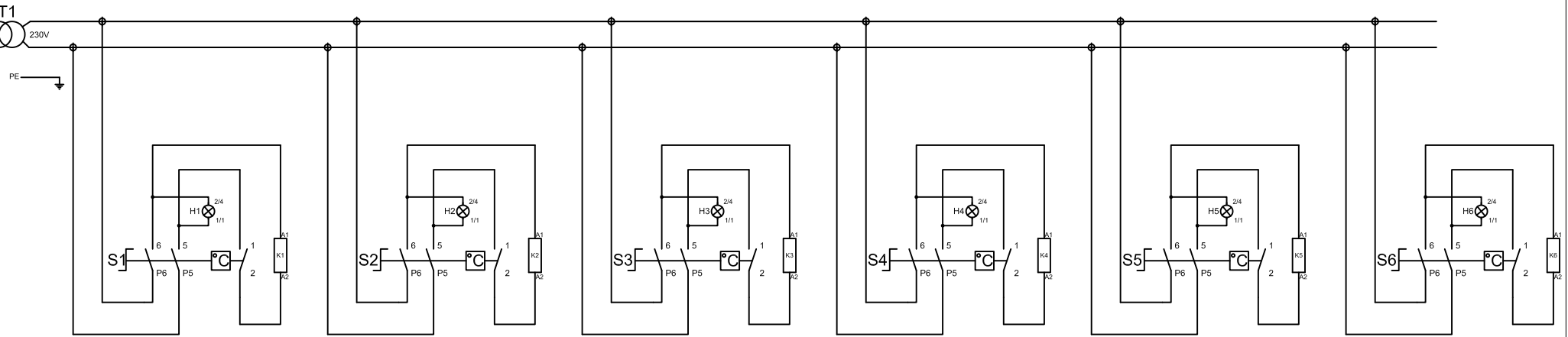


400 V - 3 - N



400 V - N

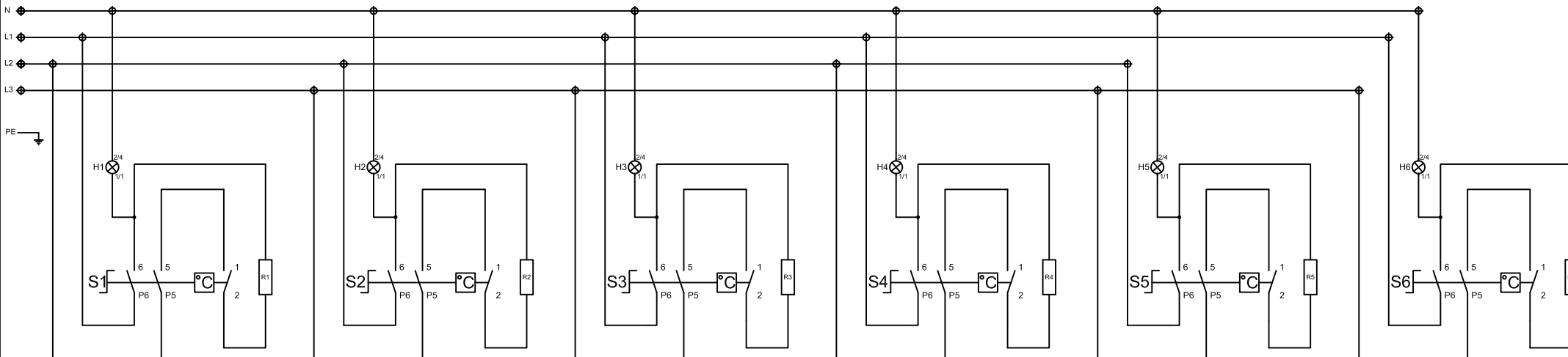


- S1-S6 - Thermostat / Main switch
- H1-H6 - Signal lamp
- R1-R6 - Heating element
- K1-K6 - Contactor
- T1 - Transformator

Nr:	WD-104021
Rev nr:	01
Date:	07/11-2019
	G.Søreng.



Produkt: VRB-SB - 400V- N - 3 fas

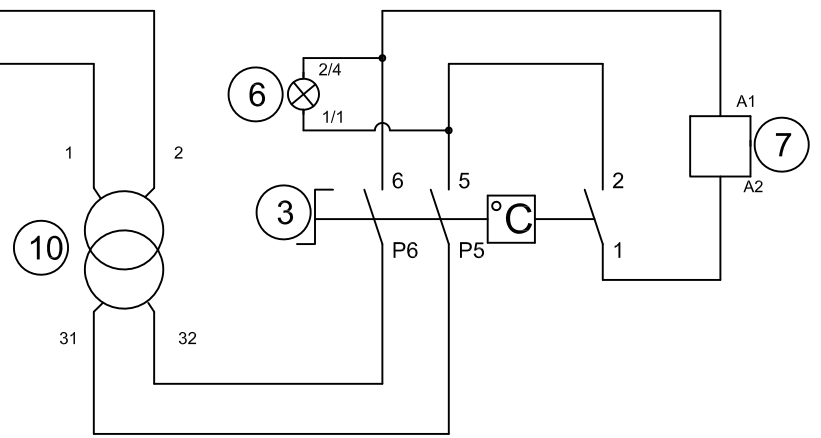
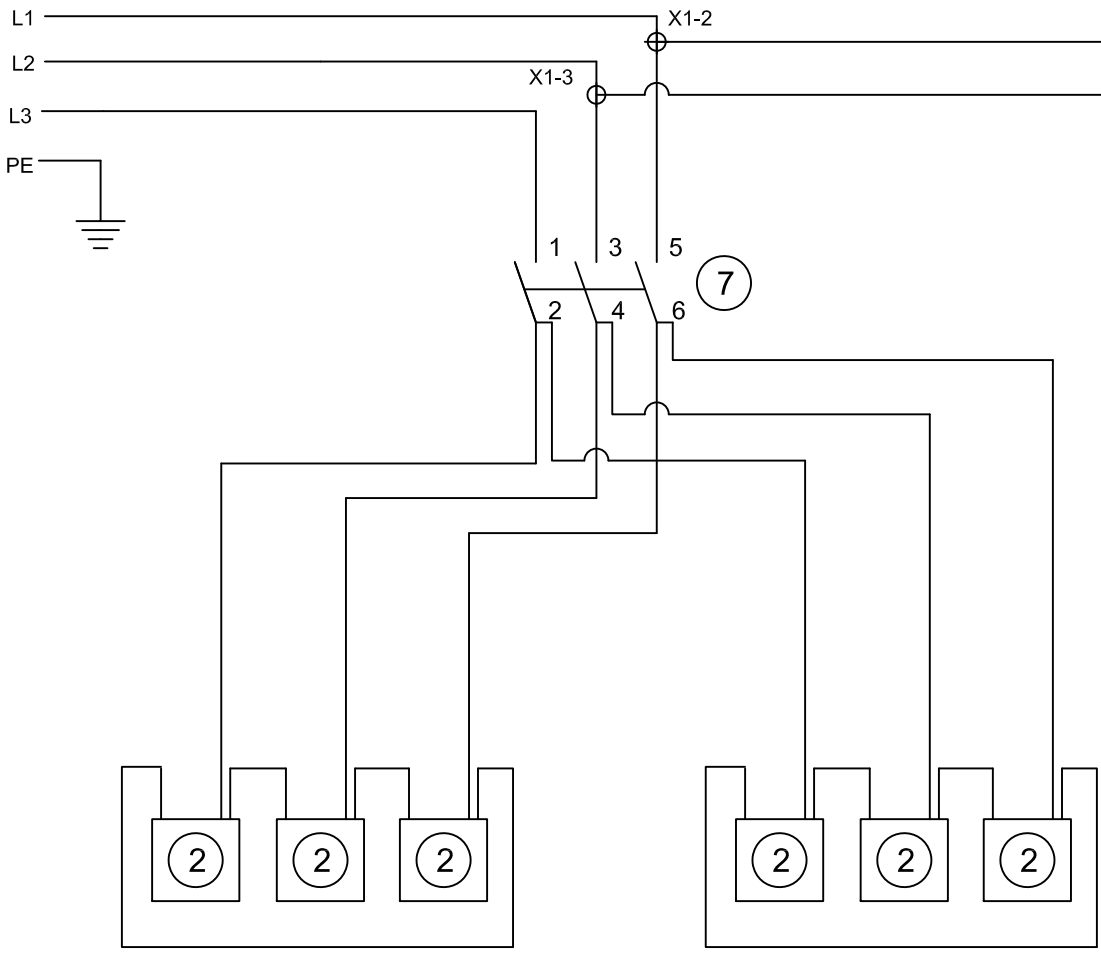


S1-S6 - Termostat / Main switch
 H1-H6 - Signal lamp
 R1-R6 - Heating element

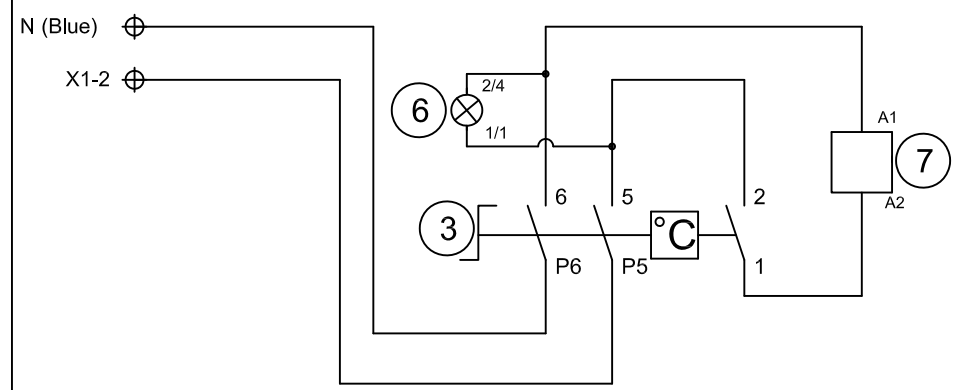
Nr:	WD-104021-1
Rev nr:	01
Date:	06/11-2019
	G.Søreng.



Produkt: VRB-SB - 400 V - 3 fas - N
 400 V over termostat



400 V - 3 PH - N

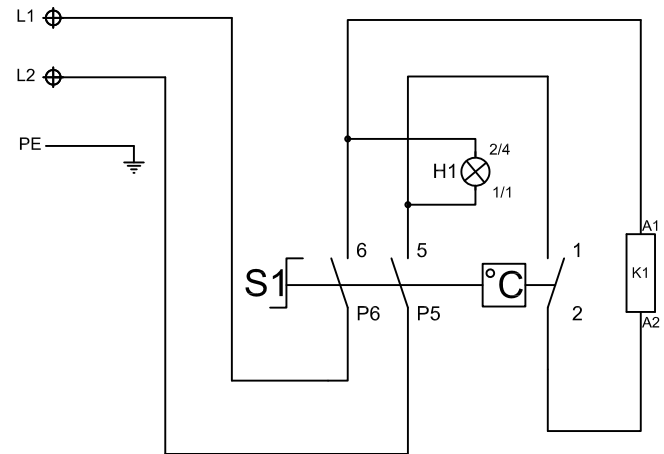
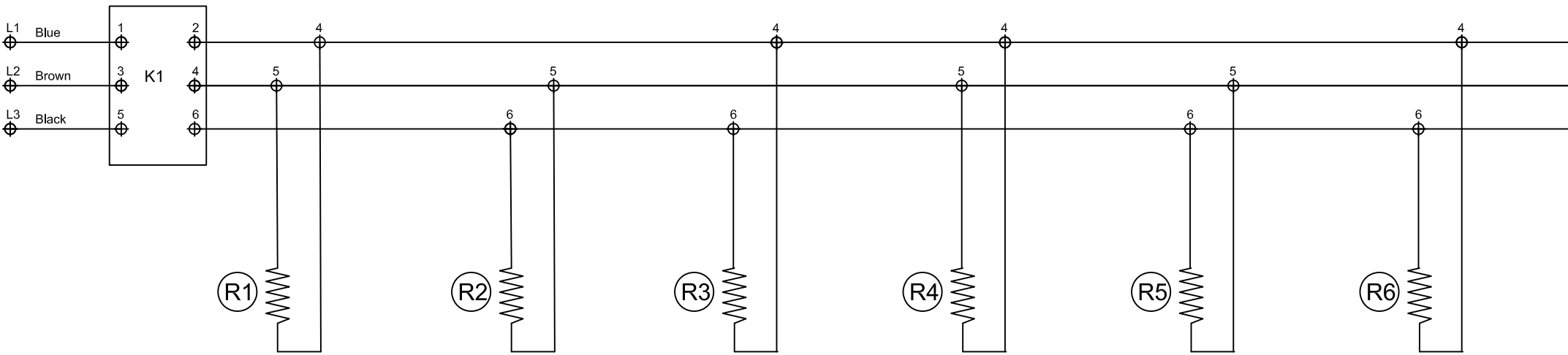


Note!
 Pos 10 - Transformer.
 Is not mounted at 230 V and 400 V - N

Nr:	WD-104021-2
Rev nr:	01
Date:	07/01-2015
	G.Søreng.



Produkt: VRB-SB 2025/2052
 230-380-400-415-440-480 V 3 PH



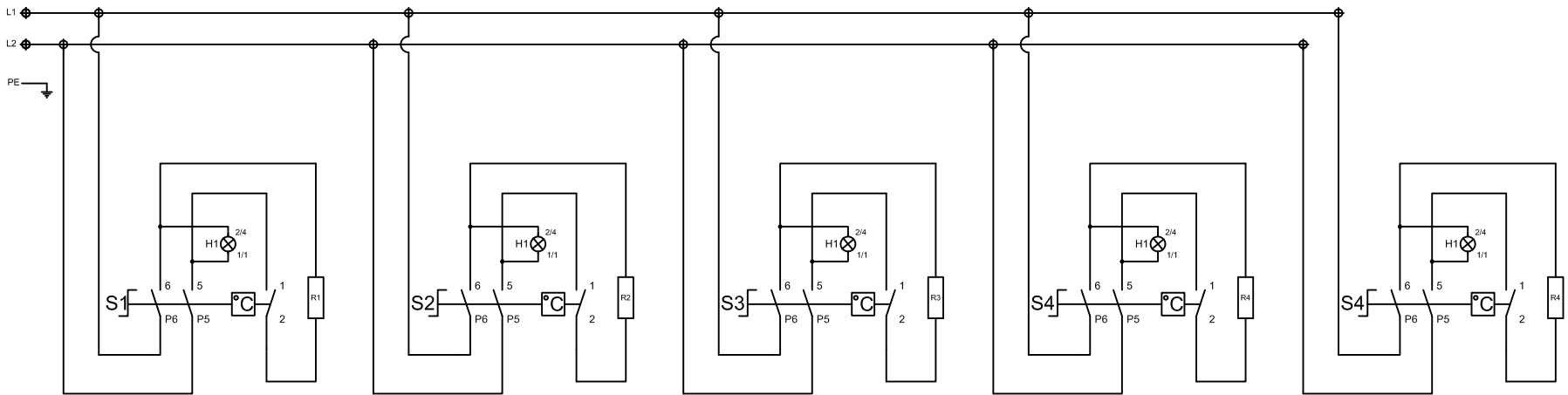
- S1 - Thermostat / Main switch
- H1 - Signal lamp
- R1-R6 - Heating element
- K1 - Contactor

Nr:	WD-104021-3
Rev nr:	01
Date:	13/12-2019
	G.Søreng.

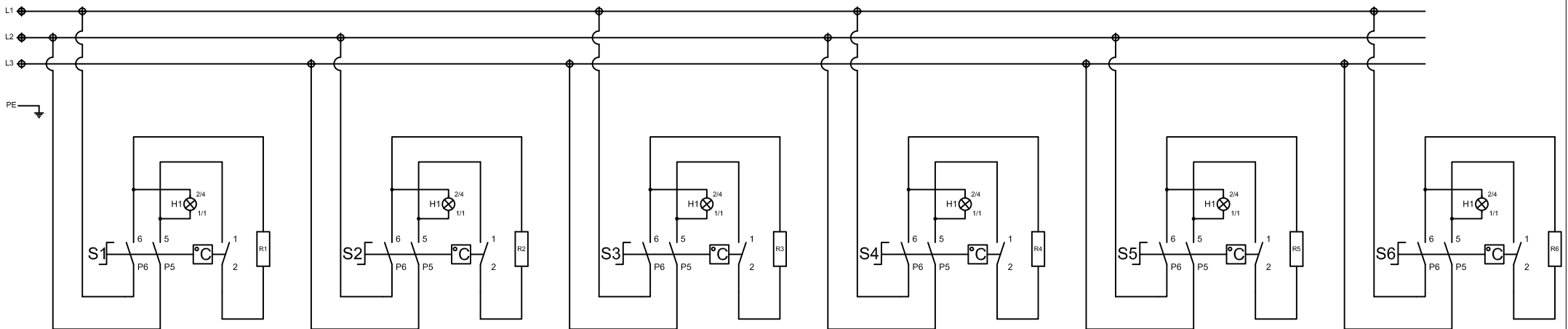


Produkt: VRB-SB - 230V- 3 fas
En termostat for alle soner

230 - 1 - 50/60



230 - 3 - 50/60



S1-S6 - Thermostat / Main switch
 H1-H6 - Signal lamp
 R1-R6 - Heating element

Nr:	WD-104021-4
Rev nr:	01
Date:	10/12-2021
	G.Søreng.



Produkt: VRB-SB
 230V - 1 - 50/60 HZ
 230V - 3 - 50/60 HZ